



Sample Environment JRA-Meeting



Helmholtz-Zentrum Berlin

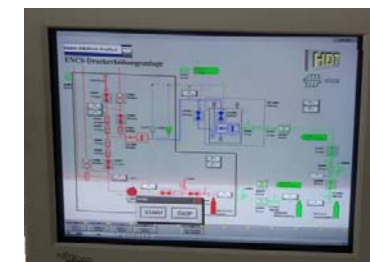
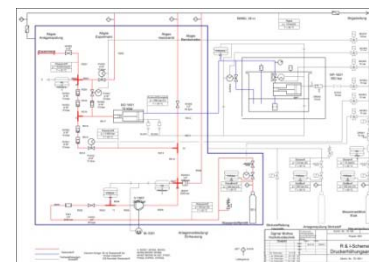
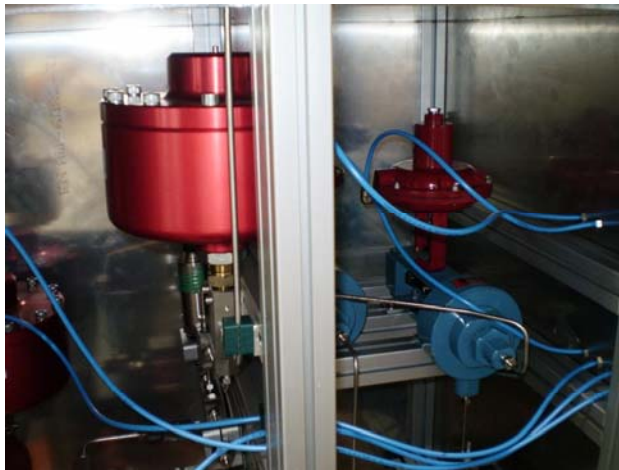
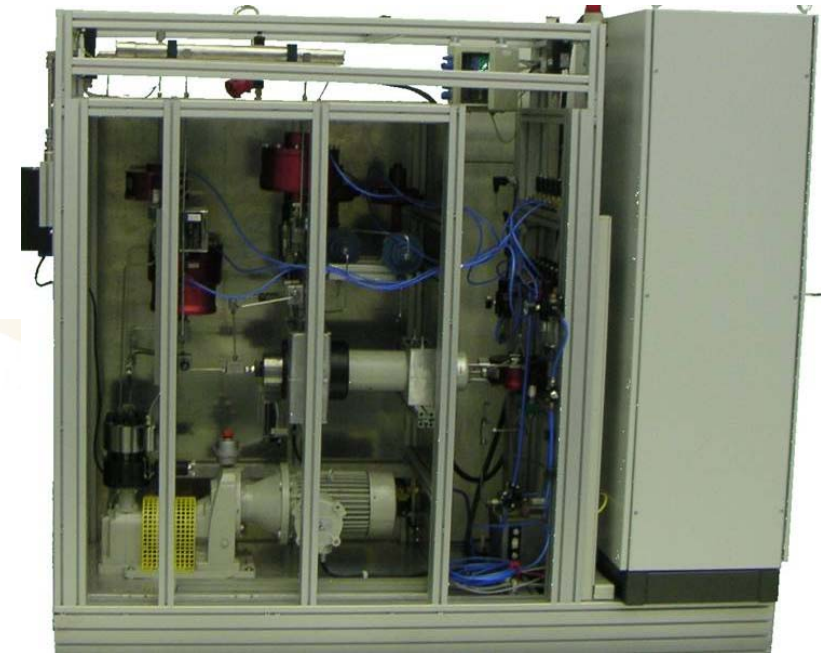
March 29th - 30th 2011



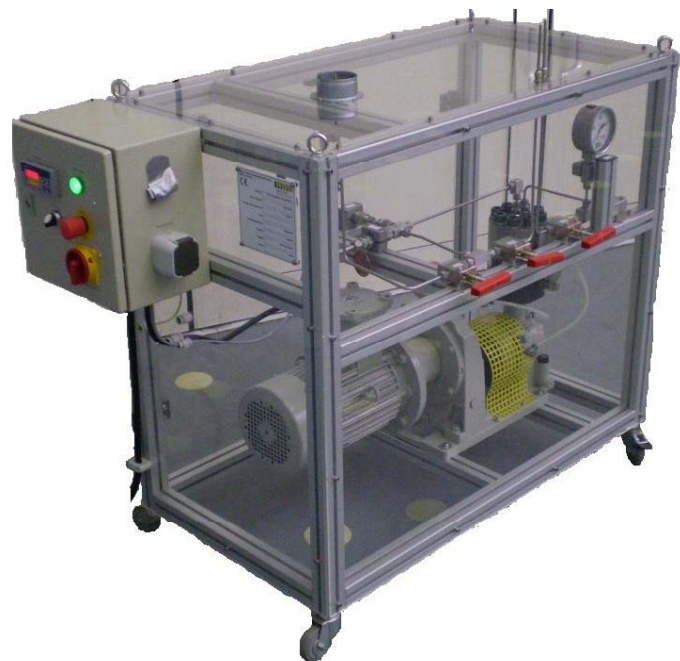
Progress Report Mar'11 – High Pressure Task

10 kbar Pressurizing System for Hydrogen:

- leakages in high pressure tubing -> removed
- 10kbar valve leaky -> in repair
- leakage in safty housing - > removed
- high pressure volume measured with 50ml
- operable for 10kbar hydrogen tests with LLB-cell
- SPS malfunction !!!



3 kbar Pressurizing System for Hydrogen:



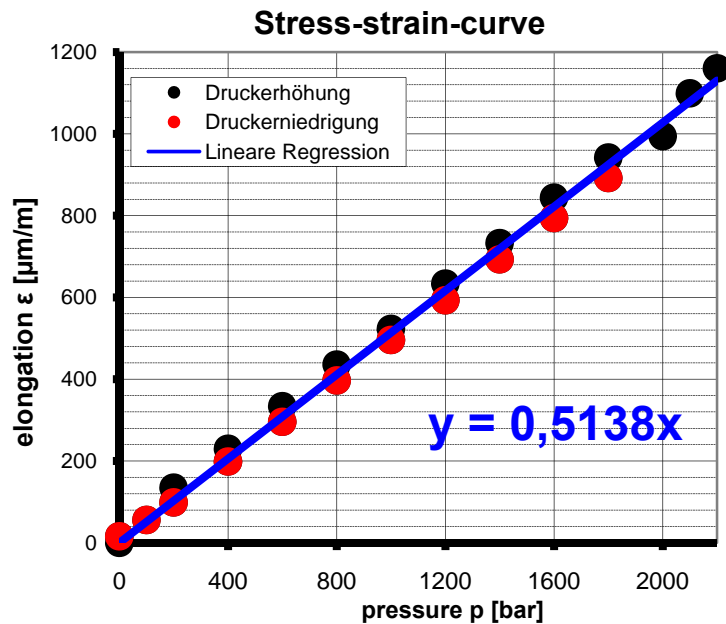
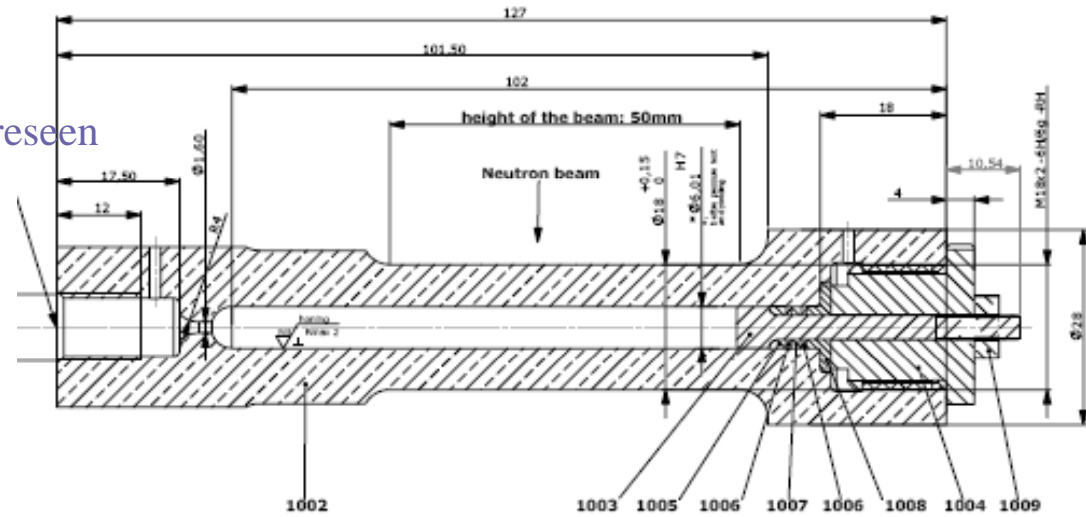
3 kbar Pressurizing System for Hydrogen:

- purging system installed
- remote control software developed
- test compartment constructed
- high speed camera in installation
- operable for 3kbar hydrogen burst tests



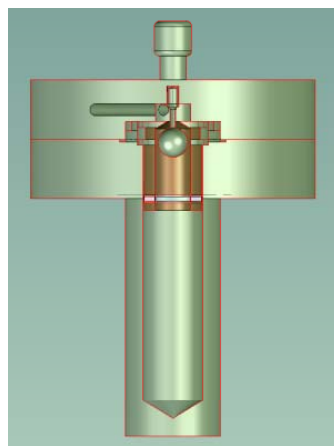
8 kbar LLB inert gas cell (CuBe 18mm/6mm):

- strain gauges installed
- long term tests with hydrogen loadings foreseen
- in-situ operation in hydrostatic pressure experiments at low temperatures planned



Progress Report Mar'11 - Gas Adsorption Task

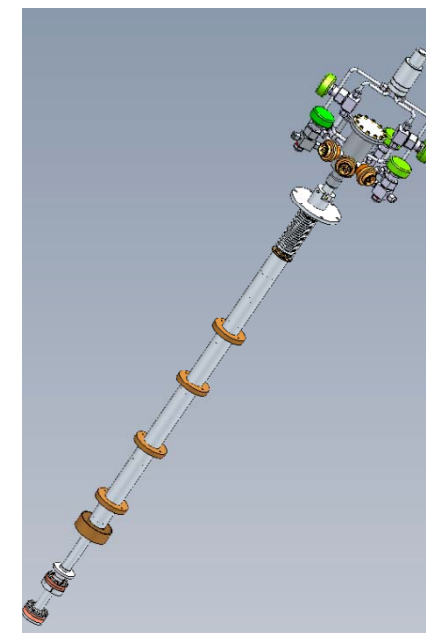
OF-Adsorption-Stick (1.5K - 600K, 300bar) with Al- sample cells and self-sealing system



- construction finished and approved
- temperature range 77K - 300K problematic
- new design by ILL planned



d_s (mm)	300 K	400 K	500 K	600K		
12		300 bar		100 bar		10 bar
14		300 bar		200 bar		50 bar
20		300 bar		300 bar		300 bar
						1 bar
						20 bar
						300 bar



Cyrogenfree Sorption Systems (10K – 600K)

Mini-Pulsetube



- constructions finished and approved
- modification for synchrotron under development

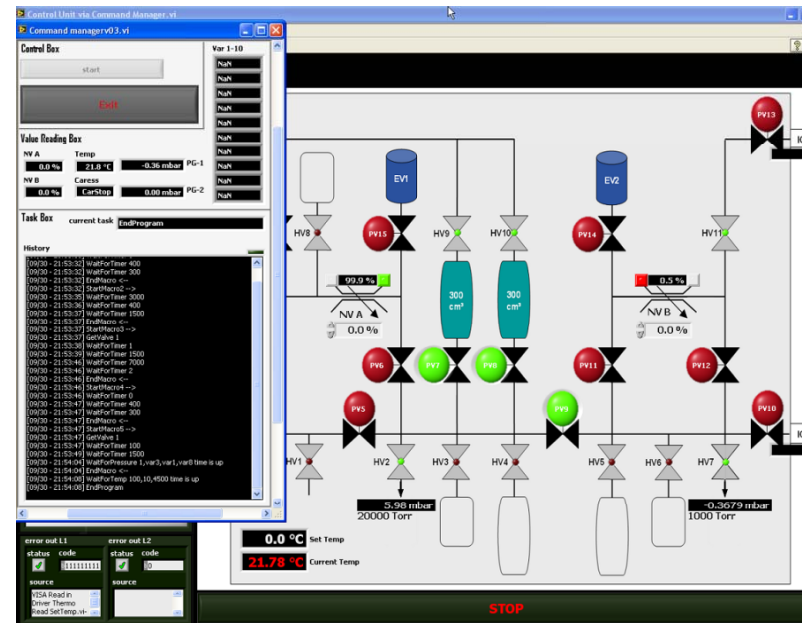
Gifford-McMahon



High temperature stage 800K

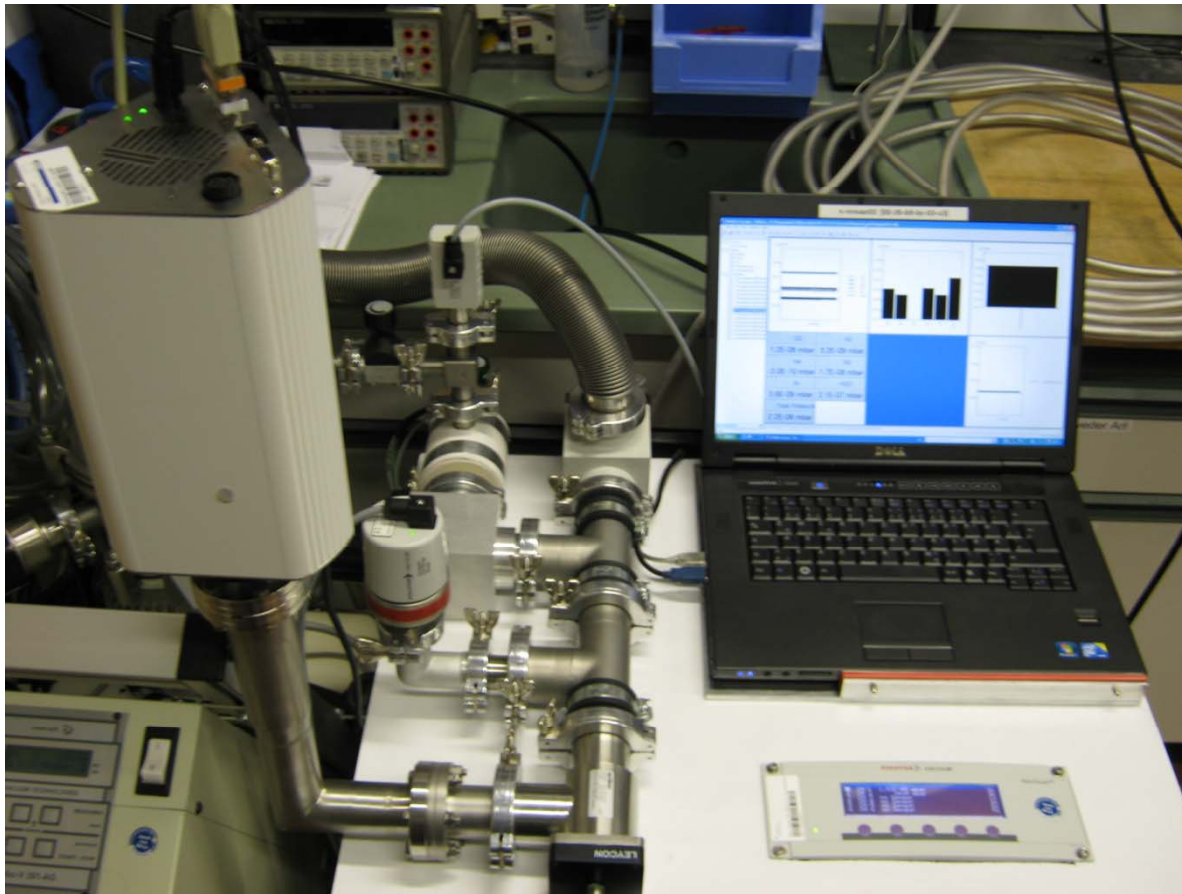


Automated Dosing System (500K - 200bar) with dynamic flow option



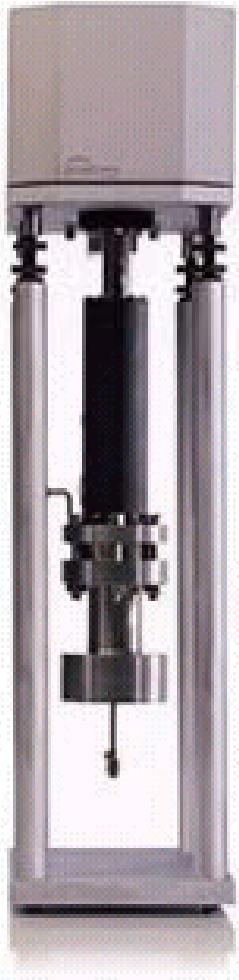
- construction finished and tested
- automated dosing software under development

Residual gas analysis station



- construction finished
- calibration tests outstanding

Gravimetric Sorption System (500°C, 100bar)



- “static” humidity regulation added
- new heater and balance control-software
- high-temperature and pressure tests
- problem to find neutron friendly material for high-T/high-P region !





Thanks for your attention

Nico Grimm

Michael Meissner

Jörg Dathe

Klaus Kiefer